



805 INDUSTRIAL PARK DR. TRENTON, TN 38382  
 PH: 731-345-4500  
 WWW.BRANDEDMFG.COM

# True-L Roman End Right Order Form

Date: \_\_\_\_\_ Due: \_\_\_\_\_

**DEALER**

Company: \_\_\_\_\_  
 Address: \_\_\_\_\_  
 CITY STATE ZIP  
 Contact: \_\_\_\_\_ Phone: \_\_\_\_\_  
 E-Mail: \_\_\_\_\_

**DISTRIBUTOR**

Company: \_\_\_\_\_  
 Address: \_\_\_\_\_  
 CITY STATE ZIP  
 Contact: \_\_\_\_\_ Phone: \_\_\_\_\_  
 E-Mail: \_\_\_\_\_

**SHIPPING INSTRUCTIONS**

Branch:  Dealer:  Pick Up:

Ship Via: \_\_\_\_\_  
 Other: \_\_\_\_\_

**ORDER INFORMATION**

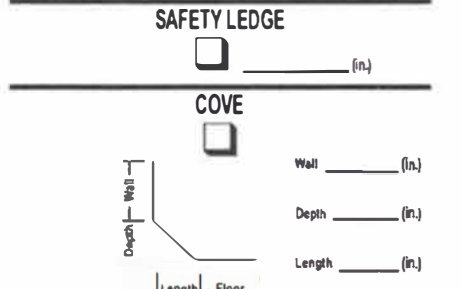
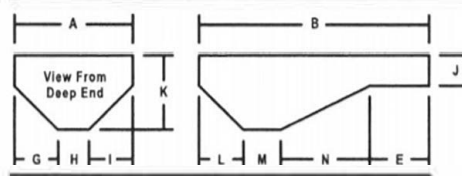
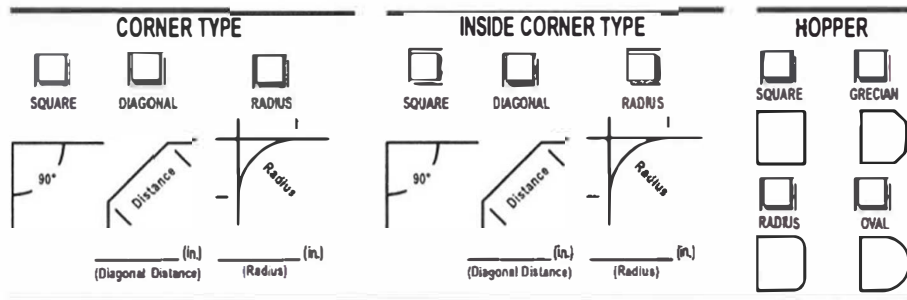
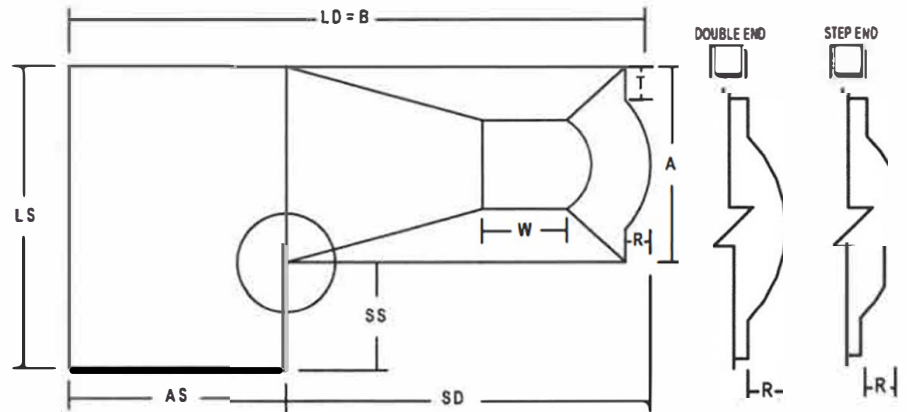
PO #: \_\_\_\_\_  
 Job Name: \_\_\_\_\_  
 Price: \_\_\_\_\_  
 Barcode: \_\_\_\_\_

Wall Pattern: \_\_\_\_\_  
 Floor Pattern: \_\_\_\_\_

**MOUNTING**

Beaded:  Overlap:  Overlap Size: \_\_\_\_\_ INCHES

**COMMENTS**



**MEASUREMENTS**

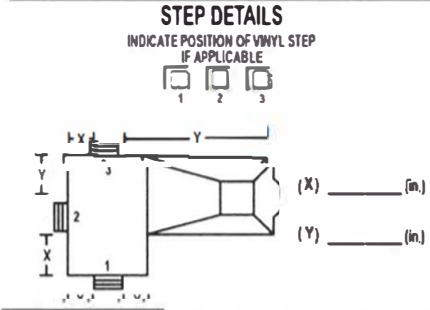
(A): \_\_\_\_\_ (ft.) \_\_\_\_\_ (in.)    (E): \_\_\_\_\_ (ft.) \_\_\_\_\_ (in.)  
 (B): \_\_\_\_\_ (ft.) \_\_\_\_\_ (in.)    (N): \_\_\_\_\_ (ft.) \_\_\_\_\_ (in.)  
 (AS): \_\_\_\_\_ (ft.) \_\_\_\_\_ (in.)    (M): \_\_\_\_\_ (ft.) \_\_\_\_\_ (in.)  
 (LS): \_\_\_\_\_ (ft.) \_\_\_\_\_ (in.)    (L): \_\_\_\_\_ (ft.) \_\_\_\_\_ (in.)  
 (LD): \_\_\_\_\_ (ft.) \_\_\_\_\_ (in.)    (G): \_\_\_\_\_ (ft.) \_\_\_\_\_ (in.)  
 (SS): \_\_\_\_\_ (ft.) \_\_\_\_\_ (in.)    (H): \_\_\_\_\_ (ft.) \_\_\_\_\_ (in.)  
 (SD): \_\_\_\_\_ (ft.) \_\_\_\_\_ (in.)    (I): \_\_\_\_\_ (ft.) \_\_\_\_\_ (in.)  
 (R): \_\_\_\_\_ (ft.) \_\_\_\_\_ (in.)    (J): \_\_\_\_\_ (ft.) \_\_\_\_\_ (in.)  
 (T): \_\_\_\_\_ (ft.) \_\_\_\_\_ (in.)    (K): \_\_\_\_\_ (ft.) \_\_\_\_\_ (in.)  
 (W): \_\_\_\_\_ (ft.) \_\_\_\_\_ (in.)    (V): \_\_\_\_\_ (ft.) \_\_\_\_\_ (in.)

**Self Check**  
 G+H+I=A?  
 E+L+M+N=B?  
 STEP RISERS=J?

**POOL MANUFACTURER, IF KNOWN:**

\_\_\_\_\_

**DO NOT INCLUDE STEPS ACROSS THE WIDTH OF THE POOL IN THE OVERALL LENGTH B MEASUREMENT**



**IS STEP INSIDE POOL PERIMETER?**

YES  NO

**VINYL STEP**

ROD POCKETS    BEADED STEP

YES  NO     YES  NO

